

Max. cutting capacity (with 255/ 260mm saw blade)

Miter saw (height x width)				Table saw (height)	
Cross Cut 	Miter Cut (left & right) 	Bevel Cut (left & right) 	Compound Cut 	Rip Cut 	
69 mm x 130 mm (2-3/4" x 5-1/8") ^{*1} 93 mm x 95 mm (3-5/8" x 3-3/4") ^{*2}	Miter 45° left / right 69 mm x 85 mm (2-3/4" x 3-3/8") ^{*1} 93 mm x 67 mm (3-5/8" x 2-5/8") ^{*2}	Bevel 45° left 35 mm x 130 mm (1-3/8" x 5-1/8") ^{*1} 53 mm x 95 mm (2-1/16" x 3-3/4") ^{*2}	Bevel 45° left Miter 45° left 35 mm x 65 mm (1-3/8" x 2-9/16") ^{*1} 49 mm x 42 mm (1-15/16" x 1-5/8") ^{*2}	Bevel 45° left Miter 45° right 35 mm x 91 mm (1-3/8" x 3-5/8") ^{*1} 49 mm x 67 mm (1-15/16" x 2-5/8") ^{*2}	40 mm (1-9/16")

*1: When the workpiece is positioned to maximum horizontal cutting width.
*2: When the workpiece is positioned to maximum vertical cutting height.

Accessories (optional)

TCT saw blade for table top miter saw



Outer (mm)	No. teeth	Kerf (mm)	Hole (mm)	Ring (mm)	Sales pkg q'ty	Part No.
260	45	2.15	25.4	15.88	1	E-27779
	60	2.15	25.4	-	1	E-29555
	80	2.15	25.4	-	1	E-29583



LH001GZ 260 mm (10-1/4")

Cordless Table Top Miter Saw

40Vmax



Standard Equipment:
Efficut TCT Saw Blade (E-27779),
Rip Fence Assembly, Vise Assembly,
Dust Bag Assembly, Push Stick, Hex Wrench

• GZ: Without Charger & Battery
BL MOTOR **AWS**

Blade Diameter	255 - 260 mm (10 - 10-1/4")
Hole Diameter	25.4 mm (1")
Angle	Miter: 45°L / 52°R Bevel: 45°L / 0°R
Max Cutting Capacity	(Bevel 45°L / Miter 45°R) 35 x 91 mm (1-3/8 x 3-5/8"), 49 x 67 mm (1-15/16 x 2-5/8") (Bevel 45°L / Miter 45°L) 35 x 65 mm (1-3/8 x 2-9/16"), 49 x 42 mm (1-15/16 x 1-5/8") (Bevel 45°L / Miter 0°) 35 x 130 mm (1-3/8 x 5-1/8"), 53 x 95 mm (2-1/16 x 3-3/4") (Bevel 0° / Miter 45°LR) 69 x 85 mm (2-3/4 x 3-3/8"), 93 x 67 mm (3-5/8 x 2-5/8") (Bevel 0° / Miter 0°) 69 x 130 mm (2-3/4 x 5-1/8"), 93 x 95 mm (3-5/8 x 3-3/4")
No Load Speed (RPM)	4,300
Dimensions (L x W x H)	702 x 551 x 557 mm (27-5/8 x 21-3/4 x 22")
Net Weight	16.4 - 17.0 kg (36.2 - 37.6 lbs)
Work Amount (approx.)	122 pcs with BL4040 (Miter saw mode) Cutting Melapi 62 x 130 mm with EFFICUT blade

Makita Power Tools (Malaysia) Sdn. Bhd. Co. Registration No.: 201301001778 (1031615-M)

HQ & Service Centre
Lot 824, Jalan Subang 5, Subang Industrial Area,
47500 Subang Jaya, Selangor.
Tel: 03-8023 0824 (General) | Fax: 03-8022 1448
03-8022 1443 (Service)

Johor (Johor Bahru) Service Centre
No. 12 & 14, Jalan Rosmerah 2/9,
Taman Johor Jaya,
81100 Johor Bahru, Johor.
Tel: 07-364 9406 | Fax: 07-364 9407

Sarawak (Kuching) Service Centre
Lot 1227, Lorong Demak Indah 2A,
Demak Laut Industrial Area, Phase 2A,
93050 Kuching Sarawak.
Tel: 082-496 800 | Fax: 082-496 900

Sabah (Kota Kinabalu) Service Centre
Lot 19, Jalan Buah Duku,
Kolombong Light Industrial Estate, Off Jalan Kolombong,
Kolombong Zone 1, 88450 Inanam, Kota Kinabalu, Sabah.
Tel: 088-388 278 | Fax: 088-388 279

FOLLOW MAKITA MALAYSIA:

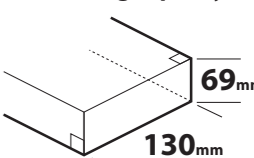


www.makita.my



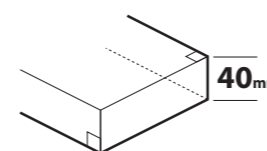
PRODUCT DETAILS
Models and specs may vary by country.

Max cutting capacity



Miter saw and Table saw in one tool with cordless convenience

Max cutting capacity



Miter saw

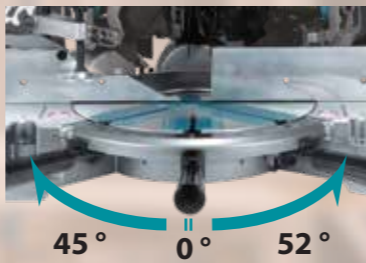
Work amount on a full battery charge

122 cuts

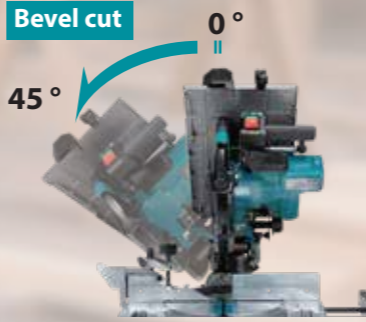
Cut 62 x 130 mm Melapi with BL4040 battery



Miter cut



Bevel cut



XGT 40V^{Li-ion} max + BL MOTOR

With an XGT battery, BL motor, and EFFICUT blade, the tool delivers power and efficiency that exceed those of corded models equipped with a general-purpose blade.



Lightweight at only 12.5kg (tool only)



Work efficiency*

LH001G (EFFICUT blade)

285% (3.2 sec)

Our AC model (General-purpose blade)

100%

*Test condition: Table saw mode, Test material: Melapi (40 x 500mm)



Auto-start Wireless System

Connects to a compatible vacuum cleaner with Bluetooth. The vacuum cleaner automatically runs while the switch is on.

Table saw

Work amount on a full battery charge

60 cuts

Cut 40 x 500mm Melapi with BL4040 battery



Rip fence secured at both ends

Minimizes bending when the workpiece is pressed against it, enhancing cutting accuracy in table saw mode.

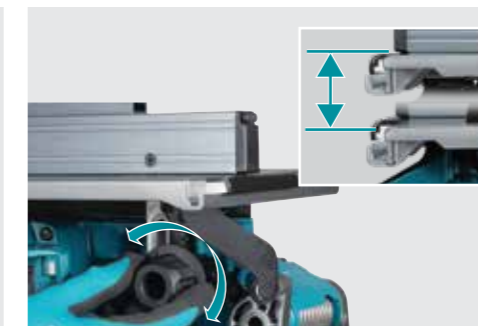
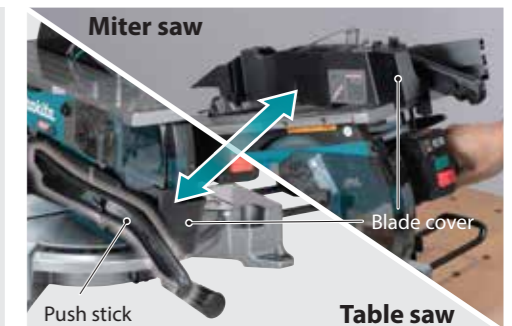


Table height adjustment

A rack-and-pinion mechanism allows easy fine adjustment of the table height by simply turning the knob.



Blade cover for both modes

The blade cover is used in Miter saw and Table saw modes. The push stick can be stored on the side of the blade cover to help avoid loss.



Enhanced dust-collection efficiency

A redesigned airflow path minimizes the dust ejected from the blade cover, enhancing dust-collection efficiency in table saw mode.



Vacuum cleaner activation switch

The switch that activates only the vacuum cleaner via AWS makes it easier to clean the tool after use.



LED job light with cut line guide

An LED light casts the blade's shadow on the workpiece, allowing the blade to be aligned with the marked cut line.