



Accessories (optional)

Guide bar / Saw chain / Guide bar cover / File diameter / Drive sprocket

*Micro-Lite

**Speedcut Nano



Cutter type:
MC: Micro chisel,
CC: Chamfer chisel



Drive sprocket



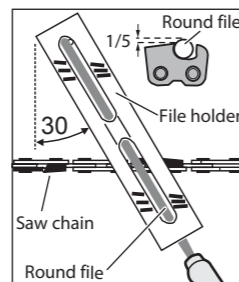
Guide bar		Saw chain						Bar cover Part No.	Round file diameter	Drive sprocket	
Bar length	Part No. Sprocket nose bar	No. of drive links	Gauge	Pitch	Cutter type		Saw chain Part No.			Pitch/ No. of teeth	Part No.
30cm/12"	*191G15-1	46	1.1mm/.043"	3/8"	90PX	CC	191H01-8	419288-5	4.5mm	3/8" / 6	191V90-7
30cm/12"	191G23-2	46	1.3mm/.050"	3/8"	91PX	CC	191H10-7	419288-5	4.0mm	3/8" / 6	191V90-7
35cm/14"	*191G16-9	52	1.1mm/.043"	3/8"	90PX	CC	191H02-6	419288-5	4.5mm	3/8" / 6	191V90-7
35cm/14"	191G24-0	52	1.3mm/.050"	3/8"	91PX	CC	191H11-5	419288-5	4.0mm	3/8" / 6	191V90-7
35cm/14"	**191T87-4	59	1.1mm/.043"	.325	80TXL	MC	191T91-3	419288-5	4.0mm	.325" / 7	191V91-5
40cm/16"	*191G17-7	56	1.1mm/.043"	3/8"	90PX	CC	191H03-4	419242-9	4.5mm	3/8" / 6	191V90-7
40cm/16"	191G25-8	56	1.3mm/.050"	3/8"	91PX	CC	191H12-3	419242-9	4.0mm	3/8" / 6	191V90-7
40cm/16"	**191T88-2	64	1.1mm/.043"	.325	80TXL	MC	191T92-1	419242-9	4.0mm	.325" / 7	191V91-5

Round file and File holder

The file can be guided more easily if a file holder is employed. The file holder has markings for the correct sharpening angle of 30° (align the markings parallel to the saw chain) and limits the depth of penetration (to 4/5 of the file diameter).



Size	Saw chain type	Round file and File holder
		Part No.
4mm	91PX, 80TXL	198457-8 D-70948
		D-70954
4.5mm	90PX	D-70954



Chain oil

Chain oil	
Size	Part No.
100ml	182229-1



UC016GT101 | UC016GZ 400 mm (16")

Cordless Chain Saw

40Vmax



*Recommended batteries
4.0Ah (F), 5.0Ah, 8.0Ah

Standard Equipment:

Saw Chain, Guide Bar, Guide Bar Cover, Wrench, Chain Oil, Round File

• GT101: 1x Fast Charger, 1x 5.0Ah Battery
• GZ : Without Charger & Battery



Max Output	1,600 W
Guide Bar Length	400 mm (16")
Chain Pitch	3/8"
Chain Gauge	1.1 mm (0.043")
Chain Speed	0 - 25.5 m/s (0 - 1,530 m/min) (0 - 5,020 FPM)
Oil Tank Capacity	260 mL
Dimensions (L x W x H)	445 x 234 x 275 mm (17-1/2 x 9-1/4 x 10-7/8")
Net Weight	6.2 - 7.5 kg (13.7 - 16.5 lbs)
Work Amount (approx.)	35 cuts with BL4050F Ø 300 mm Cedar log with 80TXL saw chain



Tool-less chain adjustment type



Net weight (tool only)
4.5 kg

Max Chain Speed
25.5 m/s



HQ & Service Centre

Lot 824, Jalan Subang 5, Subang Industrial Area, 47500 Subang Jaya, Selangor.
Tel: 03-8023 0824 (General) | Fax: 03-8022 1448
03-8022 1443 (Service)

Johor (Johor Bahru) Service Centre

No.12 & 14, Jalan Rosmerah 2/9, Taman Johor Jaya, 81100 Johor Bahru, Johor.
Tel: 07-364 9406 | Fax: 07-364 9407

Sarawak (Kuching) Service Centre

Lot 1227, Lorong Demak Indah 2A, Demak Laut Industrial Area, Phase 2A, 93050 Kuching Sarawak.
Tel: 082-496 800 | Fax: 082-496 900

Sabah (Kota Kinabalu) Service Centre

Lot 19, Jalan Buah Duku, Kolombong Light Industrial Estate, Off Jalan Kolombong, Kolombong Zone 1, 88450 Inanam, Kota Kinabalu, Sabah.
Tel: 088-388 278 | Fax: 088-388 279

FOLLOW MAKITA MALAYSIA:



www.makita.my

High operating efficiency

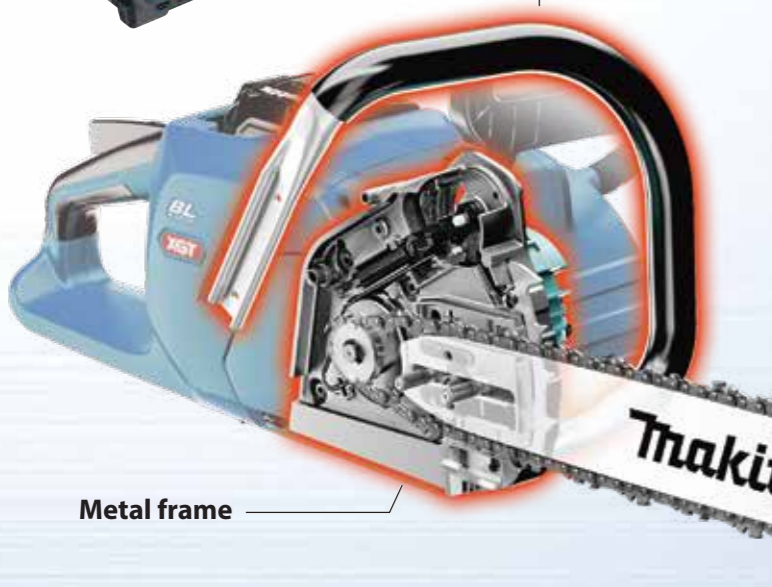
BL
MOTOR



Powerful & durable
High power Li-ion battery



Metal handle



Metal frame



Excellent tool balance



Center of gravity



42cc engine tool



WG / IPX4
WET GUARD

High water-resistance allows to operate the machine even if it is wet with water.



Chain oil level window

Large oil tank cap allows for easy chain oil filling.

High Speed cutting Compared to predecessor model

80% up

- ϕ 300mm cedar timber
- Guide bar/ Saw chain: 400mm/ 80TXL
- Battery : BL4050F

Cutting work amount

Work volume on a single full battery charge

About **35** cuts

- ϕ 300mm cedar timber
- Guide bar/ Saw chain: 400mm/ 80TXL
- Battery : BL4050F



Slim body



Metal spike bar



Tool-less chain adjustment
Easier saw chain tightening
Higher tightening torque



Metal chain catcher



Variable speed trigger switch



Main power switch
allows for easy chain oil filling.

High performance in close-to-the-ground cutting