



Miter saw
Gergaji Miter 斜断锯



2 dalam 1
一机两用

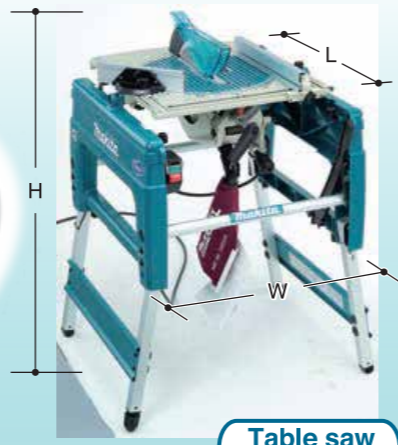


Table saw
Gergaji Meja 台锯



Flip Over Saw Gergaji Flip 翻转锯		LF1000 260mm (10-1/4")	153
Double Insulation	Continuous rating input Kuasa Input Berterusan 额定输入功率	1,650W	
Electric Brake	Max Cutting Capacity Kapasiti Pemotongan Maksimum 最大切割能力	90°: 20 x 210 mm (13/16" x 8-1/4") 90°: 68 x 155 mm (2-11/16" x 6-1/8") 45°: 50 x 150 mm (2" x 5-7/8")	
Dust Collecting	Blade Diameter Diameter Bilah 叶片直径	260 mm (10-1/4")	
Electronic Speed Control	No Load Speed (RPM) Kelajuan Tanpa Beban 回转速	2,700	
Soft Start	Dimensions (L x W x H) Dimensi 体积	Miter saw : 660x650x1,220 mm (26"x25-1/2"x48") Table saw: 660x650x1,060 mm (26"x25-1/2"x41-3/4")	
Bevel Cutting 45 left	Net weight Berat Bersih 净重	36.0 kg (79.4 lbs)	
	Power supply cord Kabel Kuasa 电源线	2.5 m (8.2 ft)	
Standard Equipment Rip Fence, Miter Gauge, Push Stick, Top Cover Assy (Top Blade Guard), Dust Cover, Dust Bag, Wrench 8			

The weight may differ depending on the attachment(s), including the battery cartridge.
The lightest and heaviest combination, according to EPTA-Procedure 01/2014, are shown in the table.
Items of standard equipment and specifications may vary by country or area.

Cutting capacity

Kapasiti Pemotongan 切割能力

Miter saw (hight x width) Gergaji Miter 斜断锯		Table saw (hight) Gergaji Meja 台锯	
Cross Cut 	Bevel Cut (left) 	Compound Cut 	
20mm x 210mm (13/16" x 8-1/4") 68mm x 155mm (2-11/16" x 6-1/8")	Bevel angle 45° left	50mm x 150mm (2" x 5-7/8")	Cut angle 0° 70 mm (2-3/4") 45° 48 mm (1-7/8")

Like us on Facebook
MAKITA MALAYSIA

* Continuous Usage Time/ Work Amount: Actual performance may vary based on application. Items of standard equipment and specifications may vary by country or area. The weight and dimensions may differ depending on the attachment(s), including the battery cartridge. All pictures shown are for illustration purposes only. In the event of differences arising between the English, Bahasa Malaysia and Chinese versions, the English version shall prevail. Masa Penggunaan Berturutan/ Jumlah Kerja: Prestasi sebenar mungkin berbeza mengikut aplikasi. Spesifikasi standard mungkin berbeza mengikut negara. Berat bersih dan dimensi berbeza bergantung pada jenis bateri yang digunakan. Imej yang ditunjukkan hanya untuk tujuan ilustrasi sahaja. Jika terdapat perbezaan antara bahasa, maka maklumat versi Bahasa Inggeris harus dipinapakai. 连续使用时间/ 工作量: 实际表现可能因应用情况而异。注: 规格可能因销往国家之不同而异。重量与尺寸因附件(包括电池组)而异。图片仅供参考。如有内容有任何差异或不一致, 请以英文版本为准。



Makita Power Tools (Malaysia) Sdn. Bhd. Co. Registration No.: 201301001778 (1031615-M)

HQ & Service Centre
总部和服务展示中心
Lot 824, Jalan Subang 5, Subang Industrial Area,
47500 Subang Jaya, Selangor.
Tel: 03-8023 0824 (General) | Fax: 03-8022 1448
03-8022 1443 (Service)

Johor (Johor Bahru) Service Centre
柔佛(新山)服务与展示中心
No.12 & 14, Jalan Rosmerah 2/9,
Taman Johor Jaya,
81100 Johor Bahru, Johor.
Tel: 07-364 9406 | Fax: 07-364 9407

Sarawak (Kuching) Service Centre
砂拉越(古晋)服务与展示中心
Lot 1227, Lorong Demak Indah 2A,
Demak Laut Industrial Area, Phase 2A,
93050 Kuching Sarawak.
Tel: 082-496 800 | Fax: 082-496 900

Sabah (Kota Kinabalu) Service Centre
沙巴(亚庇)服务与展示中心
Lot 19, Jalan Buah Duku,
Kolombong Light Industrial Estate, Off Kolombong,
Kolombong Zone 1, 88450 Inanam, Kota Kinabalu, Sabah.
Tel: 088-388 278 | Fax: 088-388 279



www.makita.my
makita@makita.my



Flip Over Saw
LF1000 260mm (10-1/4")
Gergaji Flip 翻转锯



Miter saw
Gergaji Miter 斜断锯



2 dalam 1
一机两用

Table saw
Gergaji Meja 台锯



PRODUCT
DETAILS
Models and specs
may vary by country.
LF1000

Flip Over Saw

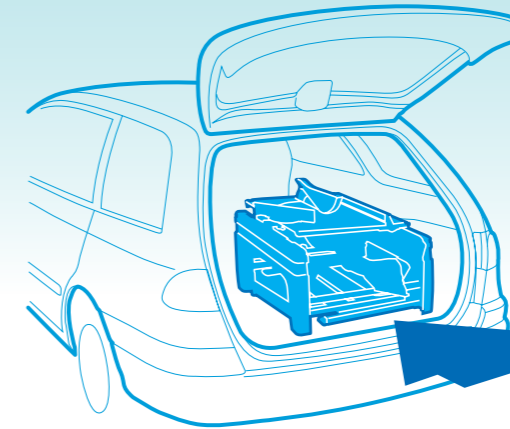
LF1000 260mm (10-1/4")

Gergaji Flip 翻转锯

Quick & Easy Conversion
Penukaran cepat & mudah
快速和简单的转换

Light Weight Motor
Motor ringan 轻量马达

Light weight
Ringan 轻量
32kg (70lbs) incl. legs



Miter saw
Gergaji Miter 斜断锯

2 in 1

Table saw
Gergaji Meja 台锯

2 dalam 1
一机两用

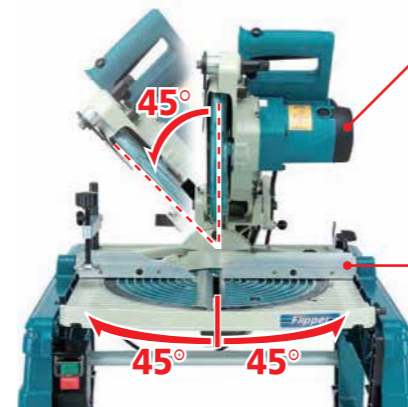


Flipper



Compact Fold-Away legs
Kaki boleh lipat 可折叠的台脚

Rigid Cast Aluminium Table
Meja Aluminium 铝台



- **Tough motor** ideal for
 - 1) Cutting Material with load
 - 2) Bevel Cut (Max. 45° left)
 - 3) Cutting Thick Material

Ketahanan motor yang sesuai untuk

 - 1) Bahan keratan dengan beban
 - 2) Potongan Serong (Max 45° kiri)
 - 3) Memotong bahan tebal

坚韧的马达非常适合

 - 1) 负载切割材料
 - 2) 斜角切割 (最大45°左边)
 - 3) 切割厚料

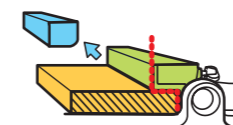
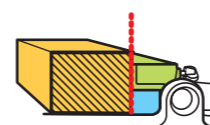


- **On-Off Switch** with anti-restart function protects operator from accidental start also equipped with Lock-On and Lock-Off function
- Suis On-Off dengan fungsi Anti-restart
具有防重启动功能的开关

- **Soft start** prevents breaker from tripping at jobsites
Penghidupan Secara Perlahan 缓速启动

- **Electric Brake** for your safety
Brek elektrik untuk keselamatan
电子自动刹车

- **Removable Sub Fence** enables to cut thin and wide materials
Pagar mini yang boleh ditanggalkan untuk memotong material nipis dan lebar
可拆卸的围栏
适用于切割薄而宽的材料



- **Constant Speed** maintains constant cutting speed under operational load
Kelajuan pemotongan yang konsisten
保持恒定的切割速度