

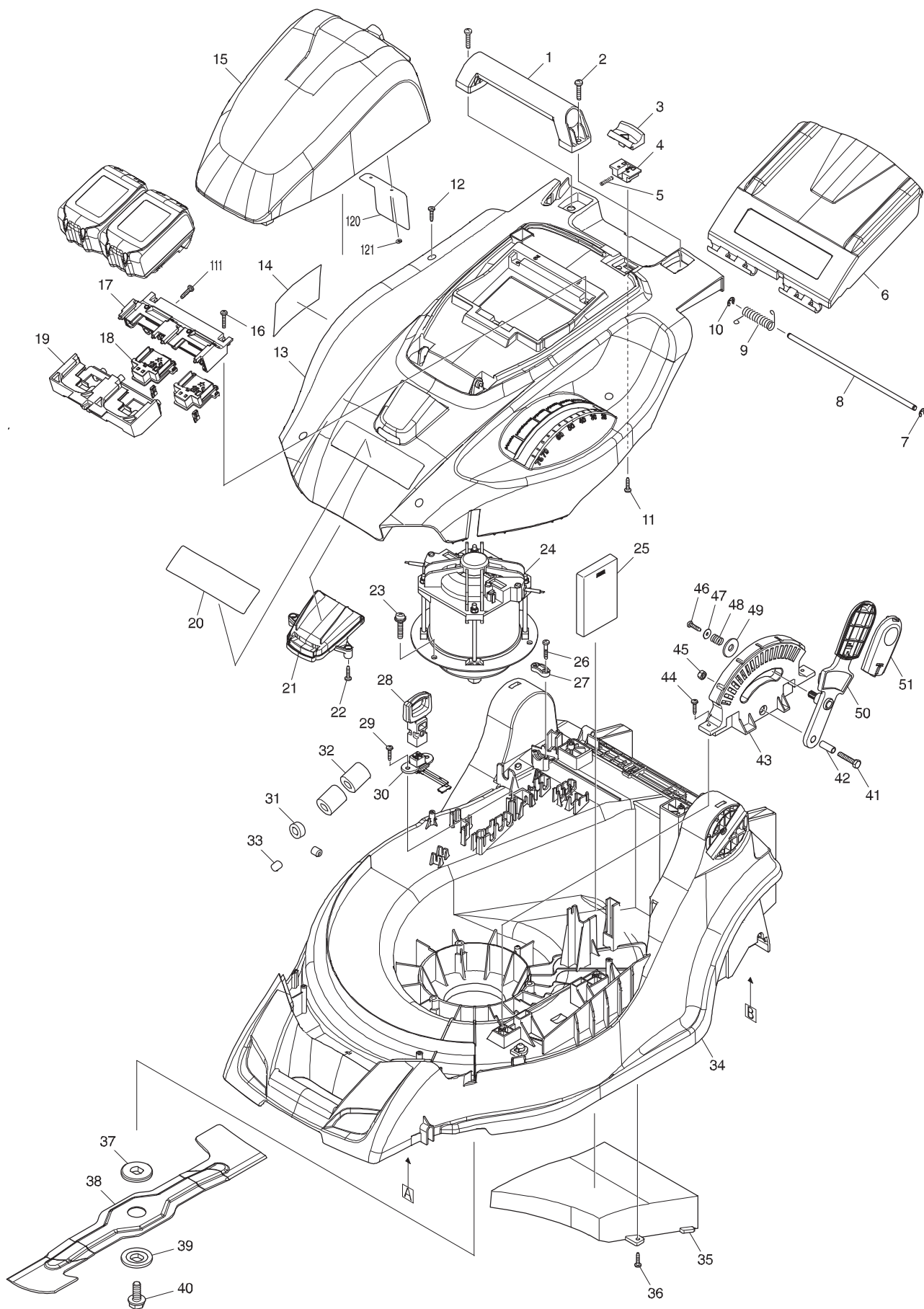
DLM431

Cordless Lawn Mower

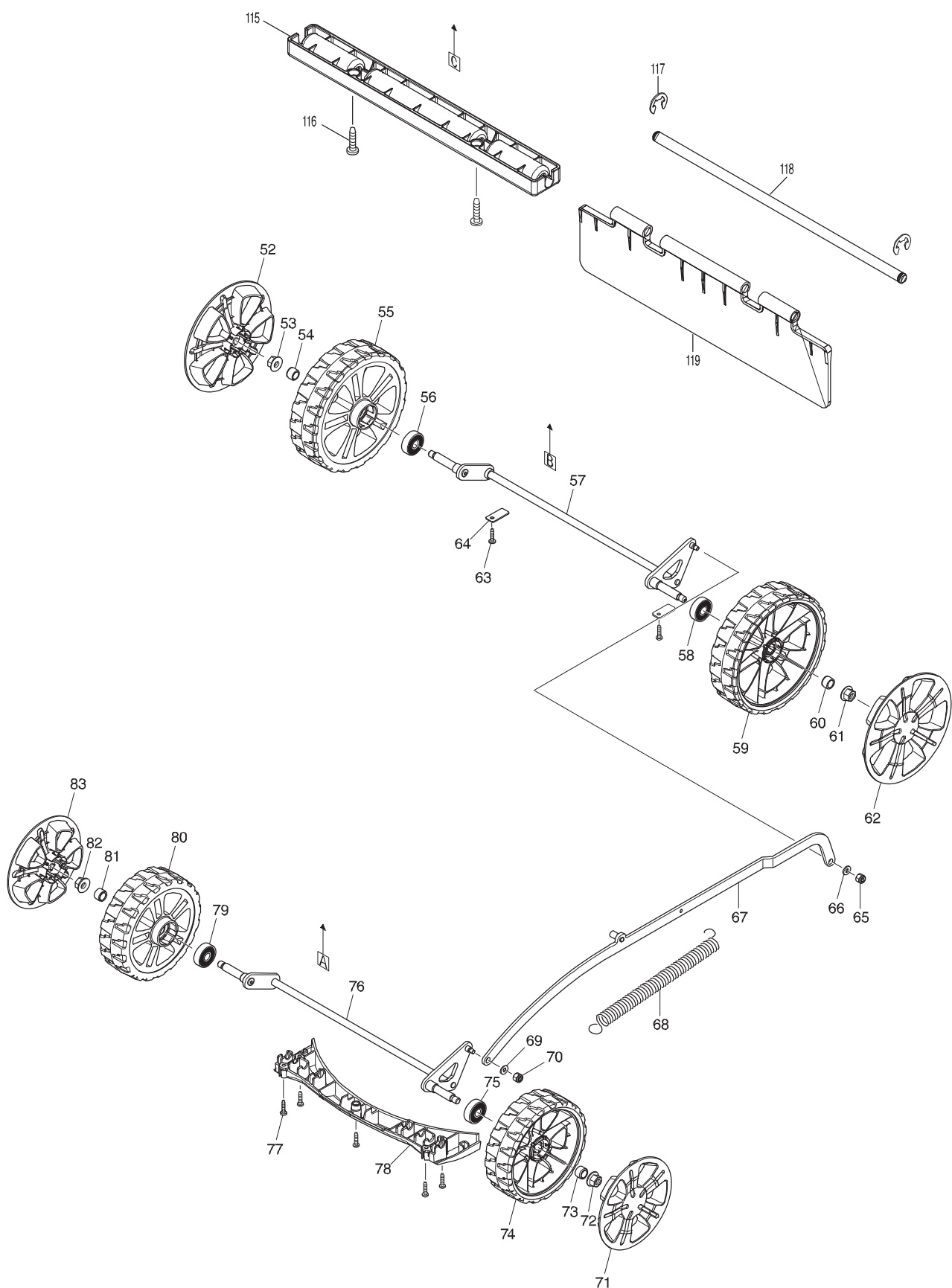


Blade Type	2 Tooth, Rotary Type
Cutting Width	430 mm (17")
Cutting Height	20 - 75 mm (13/16" - 2-15/16")
Grass box capacity	50L
No Load Speed (RPM)	3,600
Recommended mowing area	with BL1850B x 2: 475 - 950 m ²
Continuous Use (min.)	with BL1850B x 2: 30
Wheel Size	Front / Rear: 140 / 160 mm (5-1/2" / 6-5/16")
Dimensions (L x W x H)	1,450-1,490x460x950-1,020mm (57-58-3/4"x18-1/8"x37-1/2"-40-1/4")
Net weight	17.8 kg (39.3 lbs)

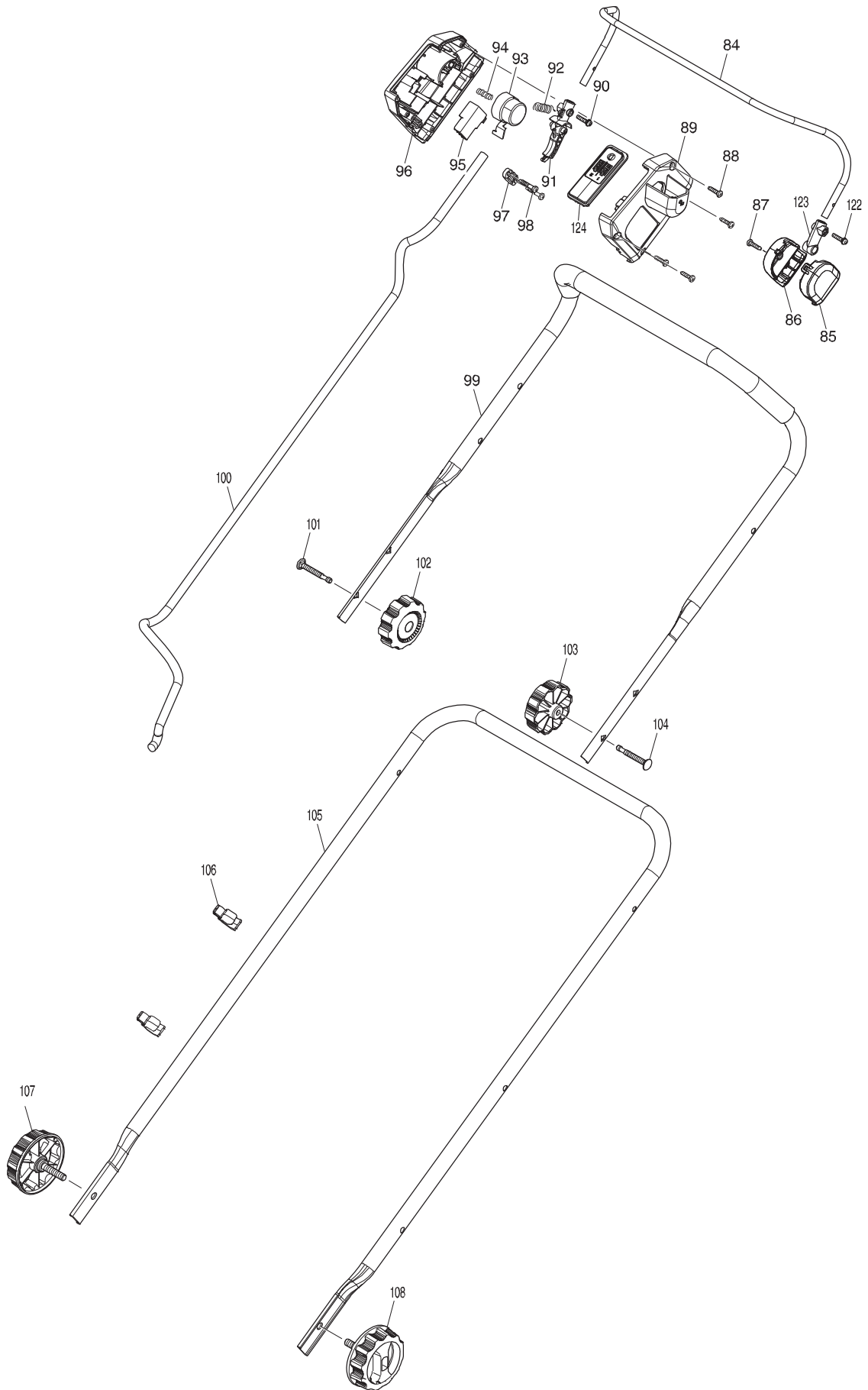
Model No. DLM431 430MM CORDLESS LAWN MOWER



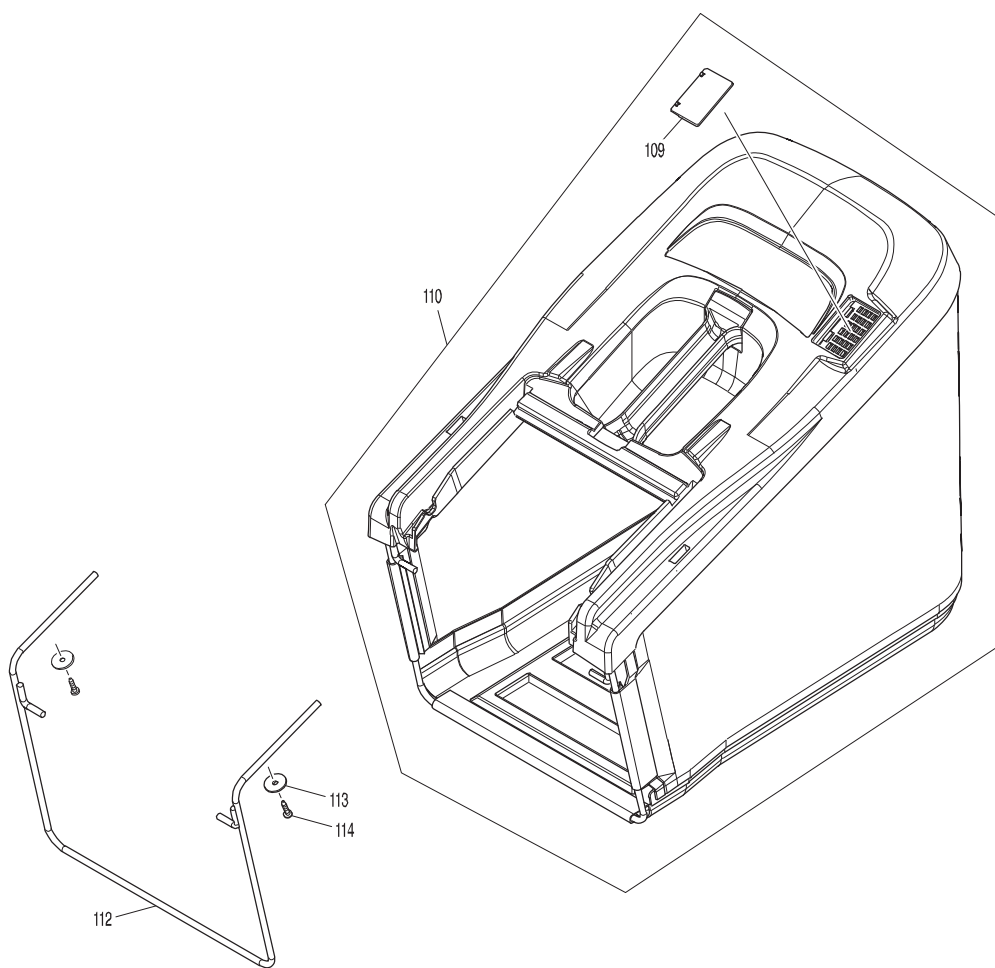
Model No. DLM431 430MM CORDLESS LAWN MOWER



Model No. DLM431 430MM CORDLESS LAWN MOWER



Model No. DLM431 430MM CORDLESS LAWN MOWER



DLM431

Item	Sub	Parts No.	Parts Description	Qty	UNIT PRICE (RSP)	
1		273675-0	GRIP A	1	RM	8.50
2		266459-3	TAPPING SCREW 5X25	2	RM	1.00
3		453250-0	LOCK LEVER	1	RM	4.00
4		453251-8	LOCK LEVER SUPPORT	1	RM	3.50
5		233173-6	COMPRESSION SPRING 4	1	RM	1.50
6		141300-0	REAR FLAP COMPLETE	1	RM	20.00
6	C10	890375-3	CAUTION LABEL	1	RM	1.00
7		961018-5	STOP RING E-5	1	RM	1.00
8		256871-5	ROD 6	1	RM	7.00
9		233597-6	TORSION SPRING 8	1	RM	1.50
10		961018-5	STOP RING E-5	1	RM	1.00
11		266326-2	TAPPING SCREW 4X18	2	RM	1.00
12		266326-2	TAPPING SCREW 4X18	4	RM	1.00
13		456347-4	COWLING M	1	RM	56.00
14		851P60-9	DLM431 NAME PLATE	1	RM	TBA
15		143506-6	BATTERY COVER COMPLETE E	1	RM	61.50
15	C10	890380-0	CAUTION LABEL INC. 120,121	1	RM	1.00
16		266326-2	TAPPING SCREW 4X18	3	RM	1.00
17		187926-4	TERMINAL HOUSING SET	1	RM	24.50
17	C10	263005-3	RUBBER PIN 6 INC. 19	4	RM	1.00
18		644808-8	TERMINAL	2	RM	11.50
19		187926-4	TERMINAL HOUSING SET	1	RM	24.50
19	C10	263005-3	RUBBER PIN 6 INC. 17	4	RM	1.00
20		890383-4	MAKITA LOGO LABEL	1	RM	1.50
21		453258-4	COWLING COVER	1	RM	6.50
22		266326-2	TAPPING SCREW 4X18	2	RM	1.00
23		266774-5	PAN HEAD SCREW M6X30 WITH WR	3	RM	1.50
24		629177-8	DC MOTOR	1	RM	324.00
25		620479-5	CONTROLLER	1	RM	239.00
26		265999-8	TAPPING SCREW 4X25	2	RM	1.00
27		687149-9	STRAIN RELIEF	1	RM	1.00
28		643890-4	KEY	1	RM	7.50
29		266326-2	TAPPING SCREW 4X18	2	RM	1.00
30		632F82-6	LEAD UNIT	1	RM	9.00
34		456346-6	DECK	1	RM	170.00
35		453239-8	UNDER COVER	1	RM	11.50
36		266326-2	TAPPING SCREW 4X18	3	RM	1.00
37		224444-2	INNER FLANGE 40	1	RM	10.00
38		196060-9	BLADE 430 SET	1	RM	50.00
038-1		197761-2	BLADE 430 SET	1	RM	63.00
39		224445-0	OUTER FLANGE 40	1	RM	10.50
40		266731-3	HEX. BOLT M10X25	1	RM	3.00
41		921352-5	HEX. BOLT M6X30	1	RM	1.00
42		257670-8	SLEEVE 6	1	RM	2.00
43		453255-0	ADJUST PLATE	1	RM	14.50
44		266326-2	TAPPING SCREW 4X18	2	RM	1.00
45		931302-2	HEX. NUT M6	1	RM	1.00
46		266326-2	TAPPING SCREW 4X18	1	RM	1.00
47		267102-7	FLAT WASHER 4	1	RM	1.00
48		231297-2	COMPRESSION SPRING 9	1	RM	1.50
49		253808-3	FLAT WASHER 9	1	RM	2.50
50		453252-6	CHANGE LEVER	1	RM	8.00
51		453253-4	CHANGE LEVER COVER	1	RM	5.50
52		453241-1	REAR WHEEL CAP	1	RM	22.50
53		252145-2	COLLARED HEX NUT M8	1	RM	2.00
54		214067-4	PLANE BEARING 10	1	RM	2.50
55		453243-7	REAR WHEEL	1	RM	30.00
56		210070-3	BALL BEARING 6200ZZ	1	RM	3.50
57		165669-8	REAR SHAFT	1	RM	49.50
58		210070-3	BALL BEARING 6200ZZ	1	RM	3.50
59		453243-7	REAR WHEEL	1	RM	30.00
60		214067-4	PLANE BEARING 10	1	RM	2.50
61		252145-2	COLLARED HEX NUT M8	1	RM	2.00
62		453241-1	REAR WHEEL CAP	1	RM	22.50
63		266326-2	TAPPING SCREW 4X18	2	RM	1.00
64		346545-7	PLATE	2	RM	1.00
65		252103-8	HEX. LOCK NUT M5-8	1	RM	1.00
66		941101-4	FLAT WASHER 5	1	RM	1.00
67		346543-1	CONNECTING ROD	1	RM	46.00
68		231875-8	TENSION SPRING 16	1	RM	4.00

* All prices quoted are in Ringgit Malaysia and inclusive of 6% Goods & Services Tax (GST).
We reserved the right to change our product's prices at any time without prior notice.

